



CZECH SPORT
AIRCRAFT

SERVICE BULLETIN

Czech Sport Aircraft a.s.
Na Záhonech 212
686 04 Kunovice
Czech Republic
info@czechsportaircraft.com

No.: SB-CR-075

Date: 2019-10-30

Page: 1 of 4

Rev.: -

Date: -

MODEL AFFECTED:	PS-28 Cruiser SportCruiser / PiperSport aircraft operating under EASA rules
SUBJECT:	Inspection and eventual replacement of carburetor circlip for Rotax engine type 912 (Series)
AIRCRAFT AFFECTED:	<p>All aircraft with Rotax engine types 912 Series if at least one of the A), B) or C) below mentioned criteria applies.</p> <p>Criterion A) Engine serial number:</p> <p style="padding-left: 40px;">From S/N 6784306 up to S/N 6787000 inclusive From S/N 9565001 up to S/N 9573266 inclusive From S/N 9573268 up to S/N 9573271 inclusive From S/N 4924905 up to S/N 4925000 inclusive From S/N 9139001 up to S/N 9139252 inclusive From S/N 9563601 up to S/N 9565000 inclusive</p> <p>Criterion B) Carburetors:</p> <p style="padding-left: 40px;">1/3 part. no. 892530: From S/N 145021 up to S/N 191489 inclusive From S/N 191491 up to S/N 191496 inclusive From S/N 191498 up to S/N 191499 inclusive From S/N 191502 up to S/N 191513 inclusive S/N 191515 / S/N 191517</p> <p style="padding-left: 40px;">2/4 part. no. 892535: From S/N 144903 up to S/N 191601 inclusive From S/N 191603 up to S/N 191617 inclusive From S/N 191631 up to S/N 191637 inclusive</p> <p>Criterion C) Spare parts:</p> <p>Further all aircraft are affected with engines which have been equipped with carburetors with part number and serial number listed within Criterion B) above during engine repair, maintenance or general overhaul or any other exchange action.</p> <p>Further all aircraft are affected with engines which have been equipped since January 01st 2015 with circlip part no. 945785 as a spare part or provided within a service kit carburetor, maintenance kit carburetor and overhaul kits during engine repair, maintenance or general overhaul or any other exchange action.</p>
COMPLIANCE:	As soon as possible, not later than before completing five flight hours as of the day of this Service Bulletin issue.

DESCRIPTION:

This Service Bulletin contains instruction for inspection and eventual replacement of carburetor circlip for Rotax engine type 912 (Series).

AUTHORISATION TO PERFORM:

Certifying staff in accordance with EU 1321/2014

 CZECH SPORT AIRCRAFT	<h1>SERVICE BULLETIN</h1>	Czech Sport Aircraft a.s. Na Záhonech 212 686 04 Kunovice Czech Republic info@czechsportaircraft.com
		No.: SB-CR-075
		Date: 2019-10-30
Page: 2 of 4		Rev.: -
		Date: -

REASON:

This Service Bulletin is issued as a result and in consequence to the issue of the Rotax Service Bulletin no. SB-912-073UL and no. SB-912-073. Due to deviations in the Rotax engine manufacturing process a partial fracture of the circlip may occur. This fracture might lead to a crack/ total fracture of the circlip which in consequence may lead to a mal-function of the carburetor. Possible effects might be rough engine running or an unusual engine operating behavior.

The carburetor circlip p/n 945785 must not be used and must be replaced by the circlip p/n 945786.

MANPOWER:

Documentation check: 1/2 hour

Repair: 3 hours (including engine run test) (app. values)

SPECIAL TOOLS:

Common tools for aircraft maintenance

WEIGHT AND BALANCE:

No effect

ELECTRICAL LOAD DATA:

N/A

PUBLICATIONS AFFECTED:

N/A

MATERIAL AND COSTS:

See the Supplement CR-MM-1-0-00-S-07 and the Rotax Service Bulletin no. SB-912-073, Point 2 "Material Information" for details.

Costs to be covered by the aircraft owner/operator.

NOTE:

Before you start accomplishing this service Bulletin, read thoroughly the Supplement CR-MM-1-0-00-S-07 and the ROTAX Service Bulletins no. SB-912-073 UL and no. SB-912-073, latest revision.

Parts requirement:

Fig.no. (SB-912-073)	Part number	Qty/engine	Description	Old p/n	Application
5	945786	2	Circlip	945785	Carburetor jet needle
5	950430	2	O-ring	-	Carburetor jet needle

Special tooling/lubricants/adhesive/sealing compounds:

Description	Qty/engine	Part number	Application
LOCTITE 243 BLUE	As required	897651	Fixation screw (defined in SB-912-073)
Fixing tape *	As required	-	Attachment accessory

*) Fixing tape: Type "CB 98/2,5 mm nature" is used by Czech Sport Aircraft a.s.

ACCOMPLISHMENT INSTRUCTIONS:

1. Check the aircraft / engine logbook and maintenance documentation, if this Service Bulletin has already been accomplished.
2. Check the criteria given in Section "AIRCRAFT AFFECTED", if the aircraft is affected by this Service Bulletin.
3. Move the aircraft to a suitable place to perform the work.
4. Remove the engine upper cowling (see the CR-MM-1-0-00, the latest revision).
5. Disconnect the battery terminals (see the CR-MM-1-0-00, the latest revision).
6. Remove the oval head screw (20), see Fig. 1.
7. Loose the choke screw (21) and release the choke control string, see Fig. 1.
8. Cut the tapes fixing throttle and choke Bowden cables.

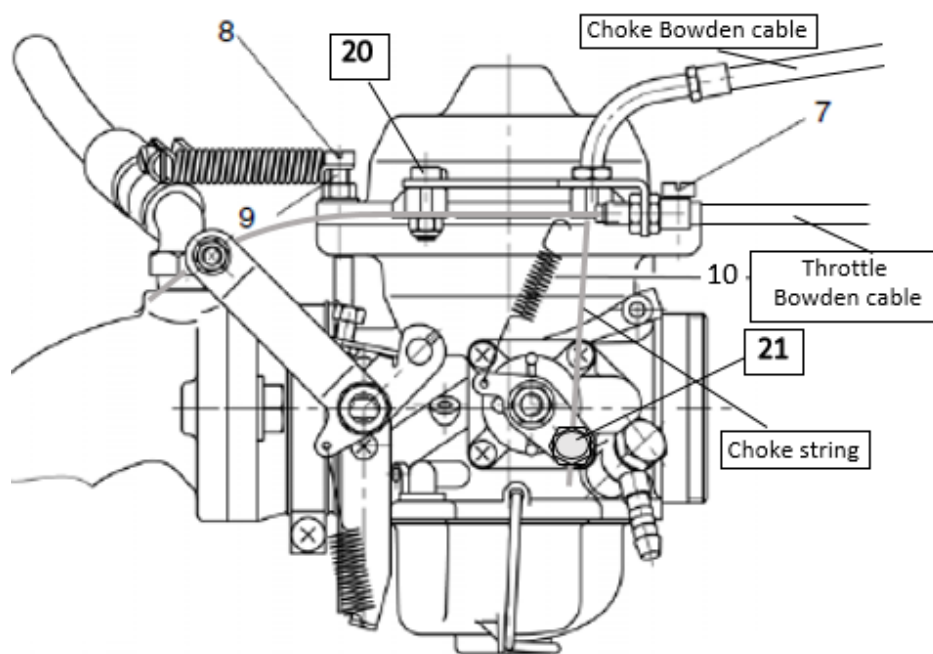


Fig. 1: Rotax 912 carburetor

9. The carburetor circlips part no. 945785 must be replaced by carburetor circlips part no. 945786. For replacement, follow instructions in the Supplement CR-MM-1-0-00-S-07 (see also the ROTAX Service Bulletin no. SB-912-073).
10. Screw and fix the oval head screw (20), see Fig. 1.
11. Install the choke control string and fix the choke screw (21), see Fig. 1.
12. Use fixing tapes and attach and fix the throttle and choke Bowden cables.
13. Adjust the choke control string, see the CR-MM-1-0-00, Point 10.4, latest revision.
14. Connect the aircraft battery terminals.
15. Install the engine upper cowling (see the CR-MM-1-0-00, latest revision).



CZECH SPORT
AIRCRAFT

SERVICE BULLETIN

Czech Sport Aircraft a.s.
Na Záhonech 212
686 04 Kunovice
Czech Republic
info@czechsportaircraft.com

No.: SB-CR-075

Date: 2019-10-30

Page: 4 of 4

Rev.: -

Date: -

16. Restore the aircraft to the airworthy condition.
17. Perform engine run test (see the CR-MM-1-0-00, latest revision).
18. Complete the aircraft records (log book) to reflect compliance with this Service Bulletin.
19. Thereby, the performance of this Service Bulletin is completed.

APPROVAL:

This Service Bulletin has been approved by:

Title	Head of Design Organization	Airworthiness Manager
Name	Jiří Sklenář	Miroslav Koukal
Hand written signature		