



CRUISER
AIRCRAFT

SERVICE BULLETIN

Czech Aircraft Group s.r.o
Na Záhonech 212
686 04 Kunovice
Czech Republic
info@cruiseraircraft.com

No.: SB-CR-083

Date: 2020-11-05

Page: 1 of 4

Rev.: 1

Date: 2020-12-08

MODEL AFFECTED:	PS-28 Cruiser SportCruiser / PiperSport operating under EASA rules.
SUBJECT:	Engine mount visual inspection
AIRCRAFT AFFECTED:	All PS-28 / SportCruiser / PiperSport aircraft.
COMPLIANCE:	Apply this Service Bulletin not later than at the next scheduled inspection after 50 flight hours or operating hours.

DESCRIPTION:

This Service Bulletin contains instructions for the inspection of engine mount cracking.

AUTHORISATION TO PERFORM:

USA: Repairman (LS-M) or Mechanic (A&P)

Europe: Certifying staff according to EU 1321/2014

REASON:

The reason is to provide detail guideline for engine mount inspection as defined in CR-MM-1-0-00, Revision 24 of later, chapter 2B.4.4, Scheduled inspection after 50 flight hours or operating hours, table chapter 10.

MANPOWER:

2 hours

SPECIAL TOOLS:

Inspection mirror, common tools for aircraft maintenance.

WEIGHT AND BALANCE:

N/A

ELECTRICAL LOAD DATA:

N/A

PUBLICATIONS AFFECTED:

CR-MM-1-0-00 - This procedure is added to the MM, revision 24.

MATERIAL AND COSTS:

All costs to be covered by the aircraft owner/operator.

MATERIAL:

-only if the original is cracked

Item No.	NOMENCLATURE	DESCRIPTION	QUANTITY (PCS)
001	SE0050N	Engine mount	1
002	AN365-624	Self-lock Nut	4



SERVICE BULLETIN

ACCOMPLISHMENT INSTRUCTIONS:

WARNING: ENGINE IGNITION MUST BE SWITCHED OFF!

1. Remove engine cowlings.
2. Disconnect the battery and remove upper line of spark plugs from the engine.
3. Clean engine mount with rag.
4. Inspect all welds with an inspection mirror and looking for cracks. One side of the engine mount with marked welds is on Fig.1, 2 and 3. **These pictures are valid for both sides.**

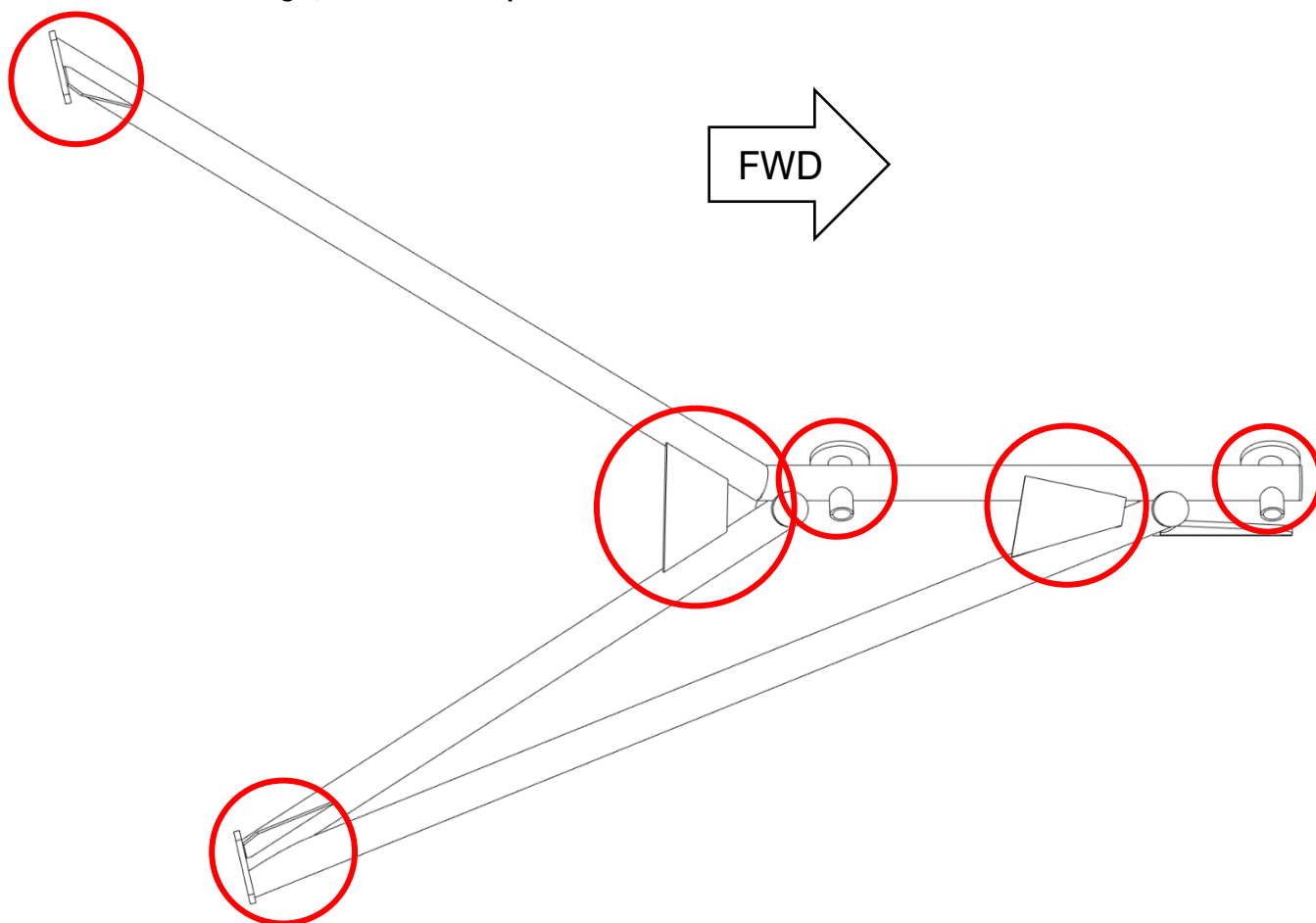


Fig. 1: Engine mount-right side



CRUISER
AIRCRAFT

No.: SB-CR-083

Date: 2020-11-05

Page: 3 of 4

SERVICE BULLETIN

Czech Aircraft Group s.r.o
Na Záhonech 212
686 04 Kunovice
Czech Republic
info@cruiseraircraft.com

Rev.: 1

Date: 2020-12-08

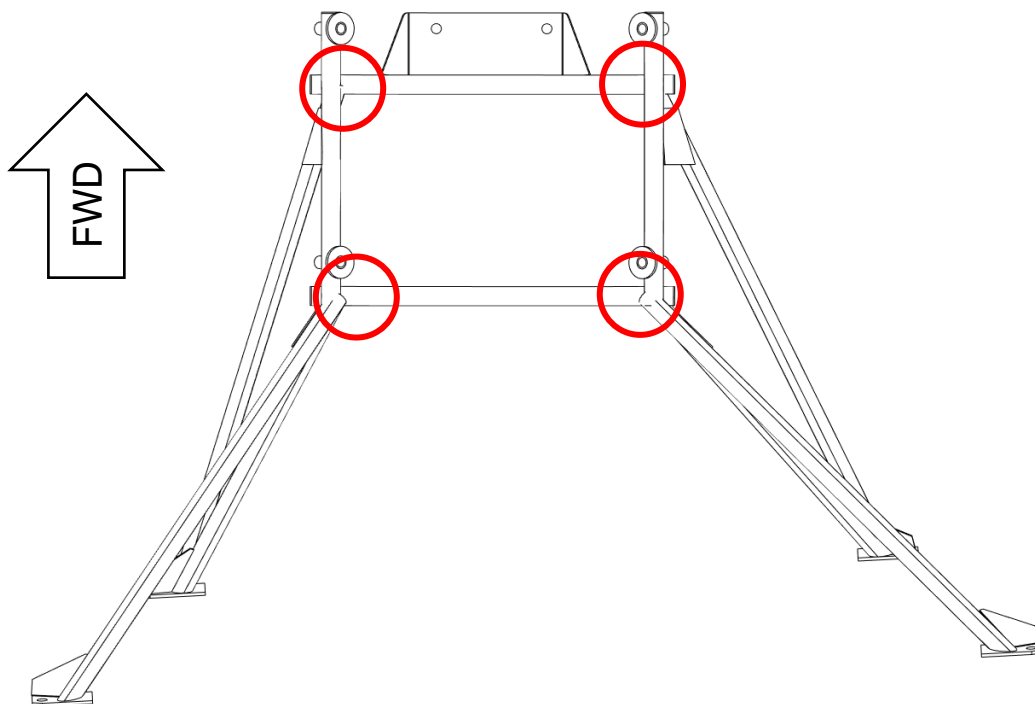


Fig. 2: Engine mount-upper side

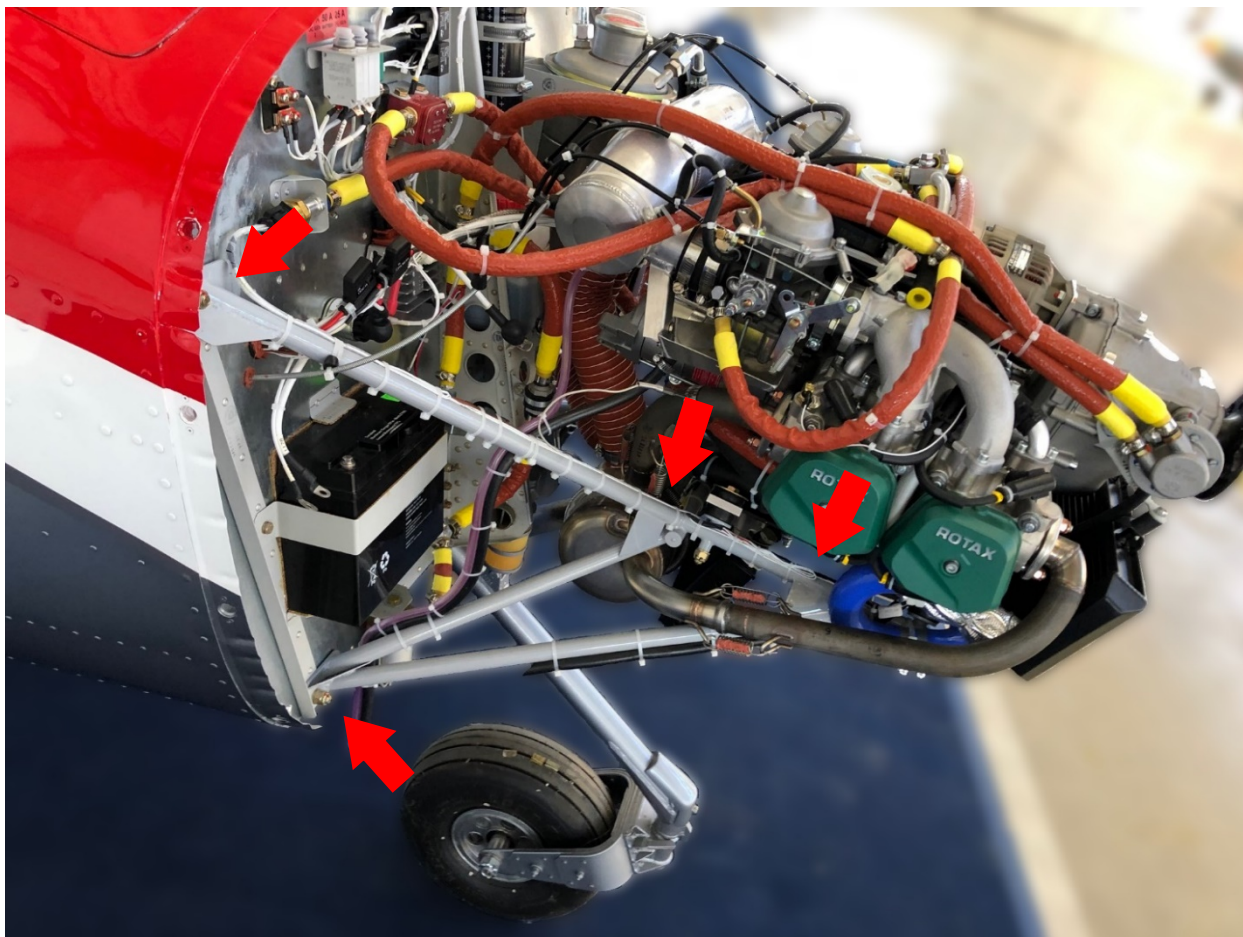


Fig. 3: Engine mount on the plane



CRUISER
AIRCRAFT

SERVICE BULLETIN

Czech Aircraft Group s.r.o
Na Záhonech 212
686 04 Kunovice
Czech Republic
info@cruiseraircraft.com

No.: SB-CR-083

Date: 2020-11-05

Page: 4 of 4

Rev.: 1

Date: 2020-12-08

5. In case if the engine mount is without cracks, skip next steps and continue to step 12.
6. In case if the engine mount is cracked, move the aircraft to the place suitable for engine mount replacement, follow steps 7. to 16.
7. Remove the engine and all other parts on the engine mount (see CR-MM-1-0-00, the latest revision).
8. Unscrew the nuts and remove the engine mount.
9. Install the new engine mount (001) and screw new self-lock nuts (002). Tighten up to a torque of 20 Nm (177 inch lb).
10. Install the engine and all other parts. See CR-MM-1-0-00, the latest revision for install instructions.
11. All cables must be mounted by the cable tie. They mustn't move freely.
12. Connect the battery and install upper line of spark plugs to the engine.
13. Install the engine cowlings.
14. Restore the aircraft to the airworthy condition.
15. Perform engine run test (see CR-MM-1-0-00, the latest revision).
16. Complete the aircraft records to reflect compliance with this Service Bulletin.

APPROVAL:

This Service Bulletin has been approved by:

Title	Head of Design Organization	Airworthiness Manager
Name	Jiří Sklenář	Jiří Sklenář
Hand written signature		