



CRUISER  
AIRCRAFT

No.: SB-SC-054

DATE: 2018-09-10

PAGE: 1/6

# SERVICE BULLETIN

Czech Aircraft Group s.r.o.  
Na Záhonech 212  
686 04 Kunovice  
Czech Republic  
info@cruiseraircraft.cz

REV.: 2

DATE: 2022-10-13

<b>MODEL AFFECTED:</b>	SportCruiser / PiperSport operating outside EASA rules
<b>SUBJECT:</b>	Replacement of the original SG0030L/P main landing gear legs by the reinforced SG0160L/P variant
<b>AIRCRAFT AFFECTED:</b>	All SportCruiser / PiperSport
<b>COMPLIANCE:</b>	Apply this Service Bulletin, when replacement of the original SG0030L/P main landing gear legs is required

## **DESCRIPTION:**

This Service Bulletin includes instructions for replacement of the original SG0030L/P main landing gear legs by the reinforced SG0160L/P variant.

## **AUTHORISATION TO PERFORM:**

Repairman (LS-M) or Mechanic (A&P)

## **REASON:**

Reinforced SG0160L/P main landing gear legs have been developed by the aircraft manufacturer with the objective to further increase operational reliability of the aircraft, mainly in highly demanding operational conditions.

## **MANPOWER:**

8 hours

## **SPECIAL TOOLS:**

Common tools for aircraft maintenance.

## **WEIGHT AND BALANCE:**

Affected

## **ELECTRICAL LOAD DATA:**

N/A

## **PUBLICATIONS AFFECTED:**

SportCruiser Maintenance Manual, SC-AMM-1-0-00, latest revision

## **MATERIAL AND COSTS:**

All costs to be covered by the aircraft owner / operator.



CRUISER  
AIRCRAFT

No.: SB-SC-054

DATE: 2018-09-10

PAGE: 2/6

# SERVICE BULLETIN

Czech Aircraft Group s.r.o.  
Na Záhonech 212  
686 04 Kunovice  
Czech Republic  
info@cruiseraircraft.cz

REV.: 2

DATE: 2022-10-13

## MATERIAL:

NOTE: Components can be ordered as an assembly kit No. SG0001L/P from the aircraft manufacturer or its authorized distributor/dealer.

ITEM No.	NOMENCLATURE	DESCRIPTION	QUANTITY
001	SG0160L	Main landing gear leg (left)	1pc
002	SG0160P	Main landing gear leg (right)	1pc
003	SG0159L	Spacer (left)	1pc
004	SG0159P	Spacer (right)	1pc
005	3121B654	Self-locking nut	8pcs
006	3121B655	Self-locking nut	4pcs
007	3121B659	Self-locking nut	4pcs
008	3111M466	Bolt	8pcs
009	SG0027N	Sleeve 1	2pcs
010	SG0028N	Sleeve 2	2pcs
011	512G1102	Brake hose Parker	4,4m
012	4410V002 <sup>1</sup>	Emfimastic PU50	1pc
013	N/A <sup>1,2</sup>	3M Marine Adhesive Sealant 5200	1pc

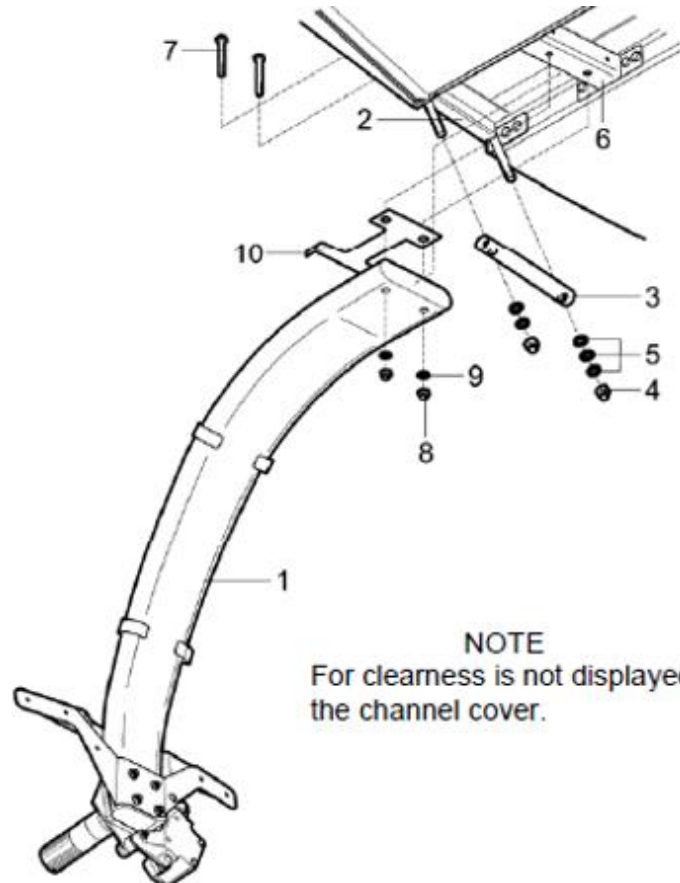
<sup>1</sup> one of these, <sup>2</sup> order in local store



# SERVICE BULLETIN

## ACCOMPLISHMENT INSTRUCTIONS:

NOTE: During the implementation of this SB follow AC43-13 and AMM, Chapter 15.



NOTE  
For clearness is not displayed  
the channel cover.

- |   |                       |    |         |
|---|-----------------------|----|---------|
| 1 | Main landing gear leg | 6  | Chamber |
| 2 | Main gear attachment  | 7  | Bolt    |
| 3 | Tube                  | 8  | Locknut |
| 4 | Locknut               | 9  | Washer  |
| 5 | Washer                | 10 | Spacer  |

Fig. 1: Main landing gear leg

# SERVICE BULLETIN

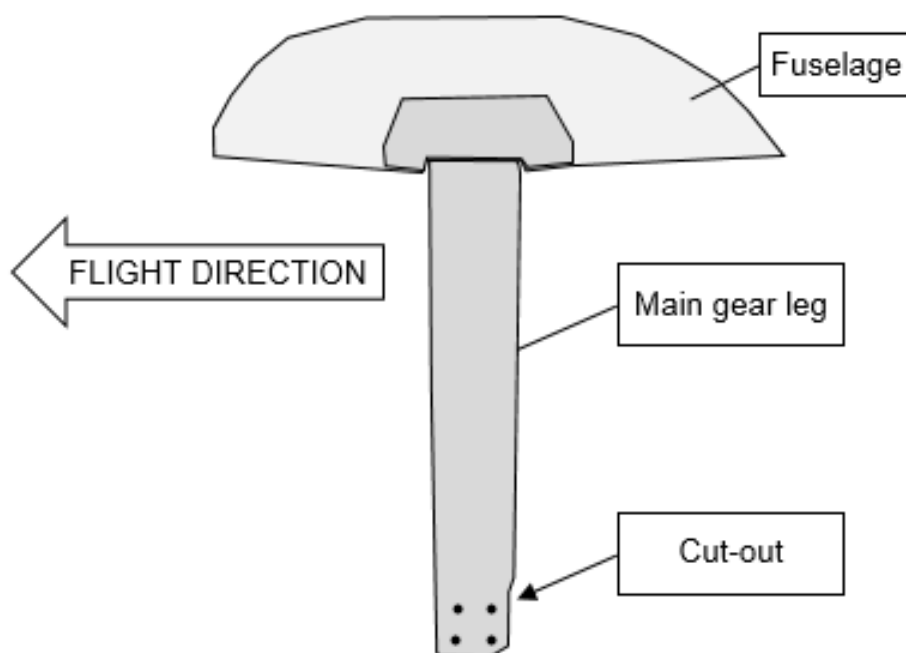


Fig. 2: Main gear leg installation (illustrative sketch)

#### REMOVAL OF THE ORIGINAL MAIN LANDING GEAR LEGS:

- 1) Move the aircraft to a place suitable to perform the work.
- 2) Follow the SC-AMM-1-0-00, Chapter 8, latest revision and remove the main wheel fairings, the main landing gear wheel assembly and the original main landing gear legs.

#### INSTALLATION OF THE REINFORCED MAIN LANDING GEAR LEGS:

**WARNING: IT IS NOT ALLOWED TO MIX THE ORIGINAL SG0030L/P AND THE REINFORCED SG0160L/P MAIN GEAR LEGS! BOTH THE LEFT AND THE RIGHT LEG MUST BE ALWAYS OF THE SAME TYPE.**

- 3) Install the reinforced main landing gear legs, see the SC-AMM-1-0-00, Chapter 8, latest revision.
- 4) Be careful of correct position according to the flight direction. The leg has to be installed so that the cut out on the leg bottom part must be on the rear side, see Fig. 2 above.
- 5) When the leg is inserted/pushed into the final position, drill two holes  $\varnothing$  8 mm for bolts (7, Fig. 1) in the main landing gear attachment (2) and spacer (10).
- 6) Install the wheels assembly, see the SC-AMM-1-0-00, Chapter 8, latest revision.

**NOTE:** Securing bolts (2) and (7): Use only as many washers (5, 9, Fig. 1) so that when the locknut (4, 8) is tightened, the bolt thread should protrude throughout the locknut not less than 1,5 pitches beyond the top of the nut or plastic insert (see SAE ARP1515 or other aviation standards).

- 7) Check the brake function and carry out the "Conditioning procedures", see the SC-AMM-1-0-00, Chapter 8, latest revision.

- 8) Assemble the main landing gear wheel fairing, as applicable, see the SC-AMM-1-0-00, Chapter 8, latest revision.

INSTALLATION OF THE BRAKE HOSE HOLDERS:

- 9) Adjust the brake hose as shown (see Fig. 3 and Fig. 4).  
10) Glue the hose holders to the leg in the position shown.

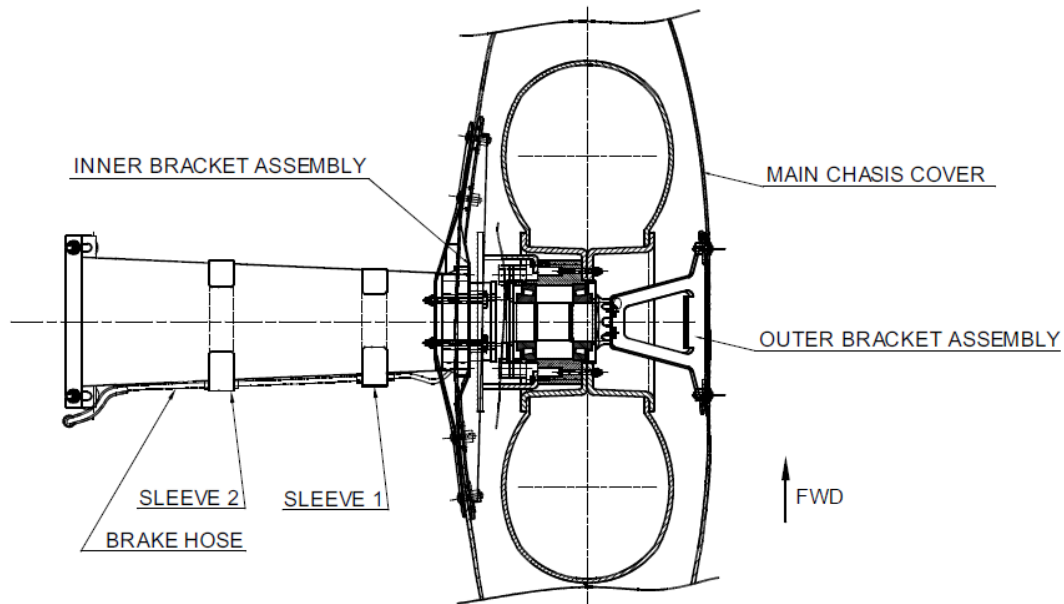


Fig. 3: Main gear leg brake hose holders and cover position

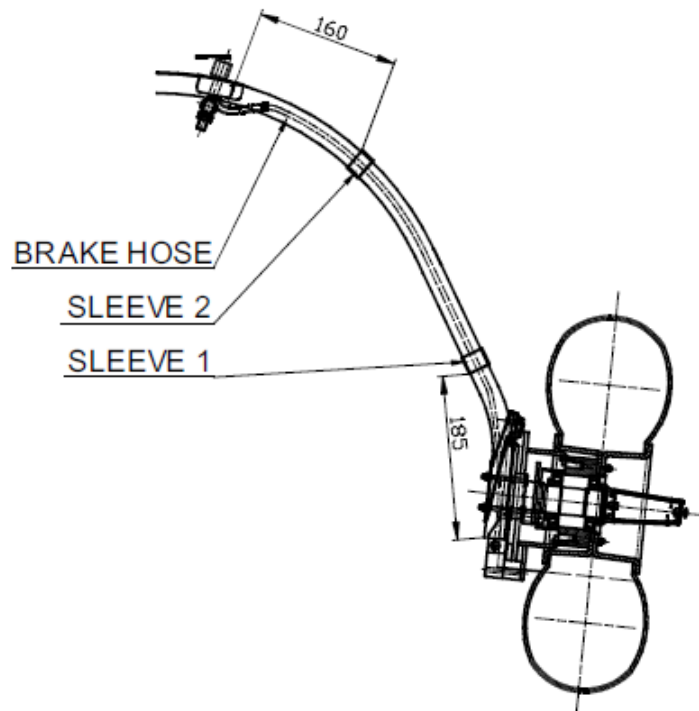


Fig. 4: Main gear leg sleeve position



CRUISER  
AIRCRAFT

No.: SB-SC-054

DATE: 2018-09-10

PAGE: 6/6

# SERVICE BULLETIN

Czech Aircraft Group s.r.o.  
Na Záhonech 212  
686 04 Kunovice  
Czech Republic  
info@cruiseraircraft.cz

REV.: 2

DATE: 2022-10-13

## PAINTING THE LEG:

NOTE: Mixed colors or painted legs can be ordered from the Cruiser Aircraft Group.

- 11) For variant with white color of the main gear leg and sleeves, the procedure for mixing color is as follows:
  - PT 101 (Cromax Imron fleet line white) 503,3 ml
  - PT 107 (Cromax Imron fleet line LS black) 3,8 ml
  - PT 182 (Cromax Imron fleet line yellow oxide LS) 1,6 ml
  - PT 133 (DuPont pigment power tint) 0,5 ml
  - EV 310 (Cromax Imron fleet line PUR binder) 712,9 ml
- 12) Mix color with hardener EV 313 (Cromax Imron fleet line PUR MS Activator) in ratio 2:1 and finally add a little thinner EV301 (Cromax Imron fleet line industrial multi use thinner) about 2cl. The white color is from the Imron industry RAL classic swatch with number 9016. Or you can use another adequate color.
- 13) For grey metallic variant order original BMW A52 color and mix it with thinner in ratio 3:1 and apply on the surface. Then apply a layer of clear lacquer on the paint as follows:
  - Mix colorless lacquer VR 1120 (Cromax value clear VOC) with hardener VR 1131 (Cromax value activator) in a ratio of 2:1 and apply to the surface.Or you can use another adequate color.  
For both variants is usually used 150 to 200 ml of paint for both legs.
- 14) Weigh the aircraft, calculate the current C.G. Position and write the results into POH. In case the current C.G. Position values exceed the front limit stipulated by the POH, proceed according to the instructions as per SC-AMM-1-0-00, Chapter 3, latest revision.
- 15) Update aircraft records to reflect compliance with this Service Bulletin.

## APPROVAL:

This Service Bulletin has been approved by:

<b>TITLE:</b>	Head of Design Organisation	Airworthiness Manager
<b>NAME:</b>	David Bilík	Jan Pejchar
<b>HAND WRITTEN SIGNATURE:</b>		