



CRUISER
AIRCRAFT

No.: SB-SC-083

DATE: 2021-10-14

PAGE: 1/4

SERVICE BULLETIN

Czech Aircraft Group s.r.o.
Na Záhonech 212
686 04 Kunovice
Czech Republic
info@cruiseraircraft.cz

REV.: 4

DATE: 2022-10-20

MODEL AFFECTED:	SportCruiser / PiperSport operating outside EASA rules
SUBJECT:	Backrest wall reinforcement
AIRCRAFT AFFECTED:	All SportCruiser / Piper Sport aircraft
COMPLIANCE:	When the backrest wall crack or bend or buckling occurs

DESCRIPTION:

This Service Bulletin contain instructions for reinforcement of the backrest wall.

AUTHORISATION TO PERFORM:

Repairman (LS-M) or Mechanic (A&P)

MANPOWER:

8 hours

SPECIAL TOOLS:

Common tools for aircraft maintenance.

WEIGHT AND BALANCE:

N/A

ELECTRICAL LOAD DATA:

N/A

PUBLICATIONS AFFECTED:

N/A

MATERIAL AND COSTS:

All costs to be covered by the aircraft owner / operator.



CRUISER
AIRCRAFT

No.: SB-SC-083

DATE: 2021-10-14

PAGE: 2/4

SERVICE BULLETIN

Czech Aircraft Group s.r.o.
Na Záhonech 212
686 04 Kunovice
Czech Republic
info@cruiseraircraft.cz

REV.: 4

DATE: 2022-10-20

MATERIAL:

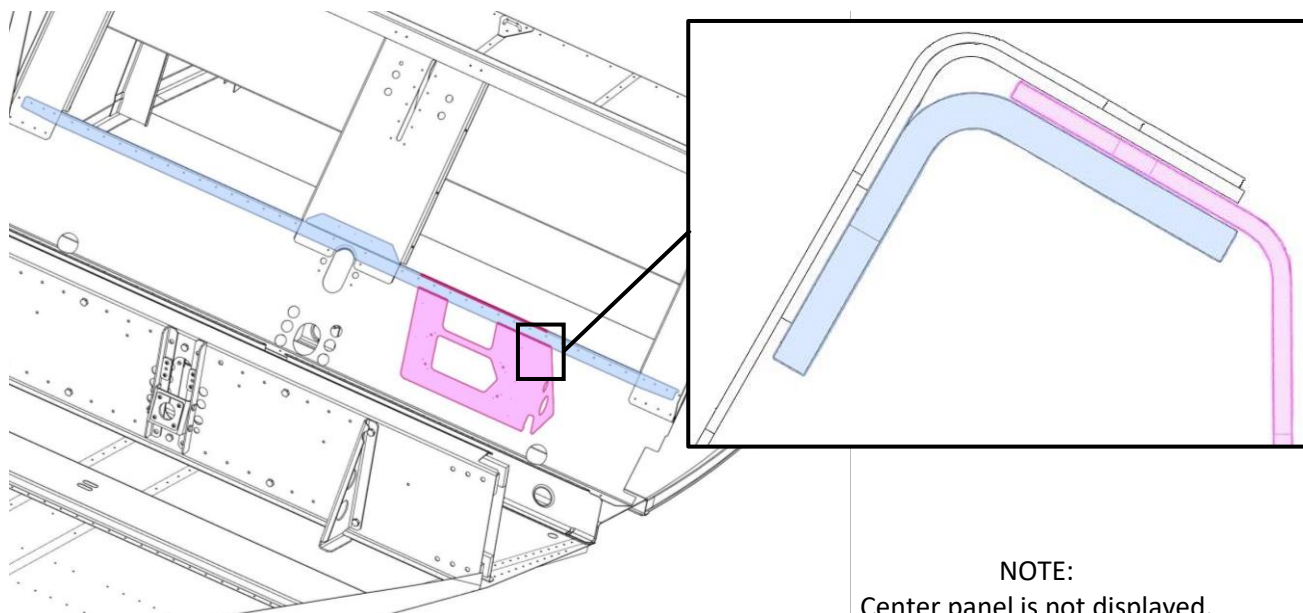
ITEM No.	NOMENCLATURE	DESCRIPTION	QUANTITY
001	SF0351N	Lower reinforcement	1 pc
002	SF0352N	Upper reinforcement	1 pc
003	3171T032	Rivet	85 pcs
004	3121V015	Rivet nut	10 pcs

ACCOMPLISHMENT INSTRUCTIONS:

Variant 1: in case you have an autopilot on the plane

NOTE: During the implementation of this SB follow AC43-13 and AMM, Chapter 15.

- 1) Move the aircraft to a place suitable to perform the work.
- 2) Fold down the backrests of both seats.
- 3) Unscrew the screws holding the backrests. Remove the backrests and seats.
- 4) Drill out the rivet nuts.
- 5) Drill out the rivets from the edge (blue area). See Fig. 1. Do not drill out the rivets from the center section between seats.
- 6) Straighten the bent parts.
- 7) If there are cracks at the bend, drill the end of the crack.
- 8) It is necessary to drill 2 x \varnothing 6 mm (0,24 in) holes in the lower reinforcement (001) to pass the riveted rivets. See Fig. Measure the exact position on the aircraft.



NOTE:
Center panel is not displayed.

Fig. 1: Backrest wall reinforcement with autopilot servo console (pink)

- 9) Attach the upper (002) and lower (001) reinforcement. Pay close attention to the attachment area of the autopilot bracket (pink area). See Fig. 1.

Variant 2: in case you don't have an autopilot on the plane

- 10) Move the aircraft to a place suitable to perform the work.
- 11) Fold down the backrests of both seats.
- 12) Unscrew the screws holding the backrests. Remove the backrests and seats.
- 13) Drill out the rivet nuts.
- 14) Drill out the rivets from the edge (blue area). See Fig. 1. Do not drill out the rivets from the centre section between seats.
- 15) Straighten the bent parts.
- 16) If there are cracks at the bend, drill the end of the crack.

NOTE:

Center panel is not displayed.

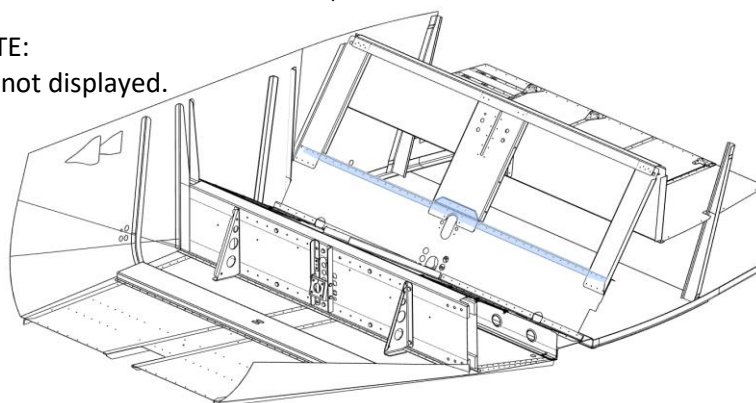


Fig. 2: Backrest wall reinforcement

Continue for both variants:

- 17) Rivets are marked on the Fig. .
- 18) Drill $\varnothing 4,2$ mm (0,16 in) holes for rivets (003).

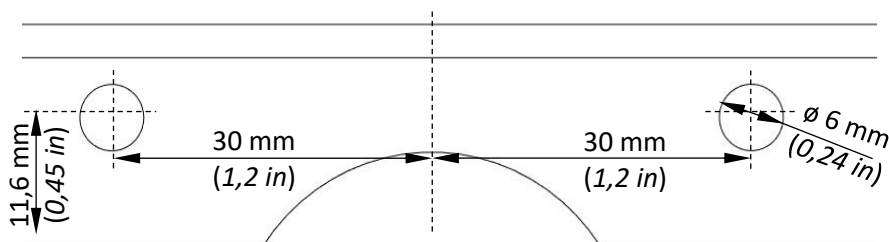


Fig. 3: Drilled holes

NOTE: If necessary, a larger rivet size can be used (see AMM, Chapter 15).

- 19) From the front side is necessary to drill the added reinforcement only, there are holes in the original parts. The new holes must be coaxial with the original holes.
- 20) From the upper side is necessary to drill added reinforcement and the original parts.
- 21) Rivet the reinforcements.
- 22) Drill $\varnothing 6$ mm (0,24 in) holes for rivet nuts (004). It is necessary to drill only the added reinforcement, there are holes in the original parts. The new holes must be coaxial with the original holes.
- 23) Rivet the rivet nuts.



CRUISER
AIRCRAFT

No.: SB-SC-083

DATE: 2021-10-14

PAGE: 4/4

SERVICE BULLETIN

Czech Aircraft Group s.r.o.

Na Záhonech 212

686 04 Kunovice

Czech Republic

info@cruiseraircraft.cz

REV.: 4

DATE: 2022-10-20

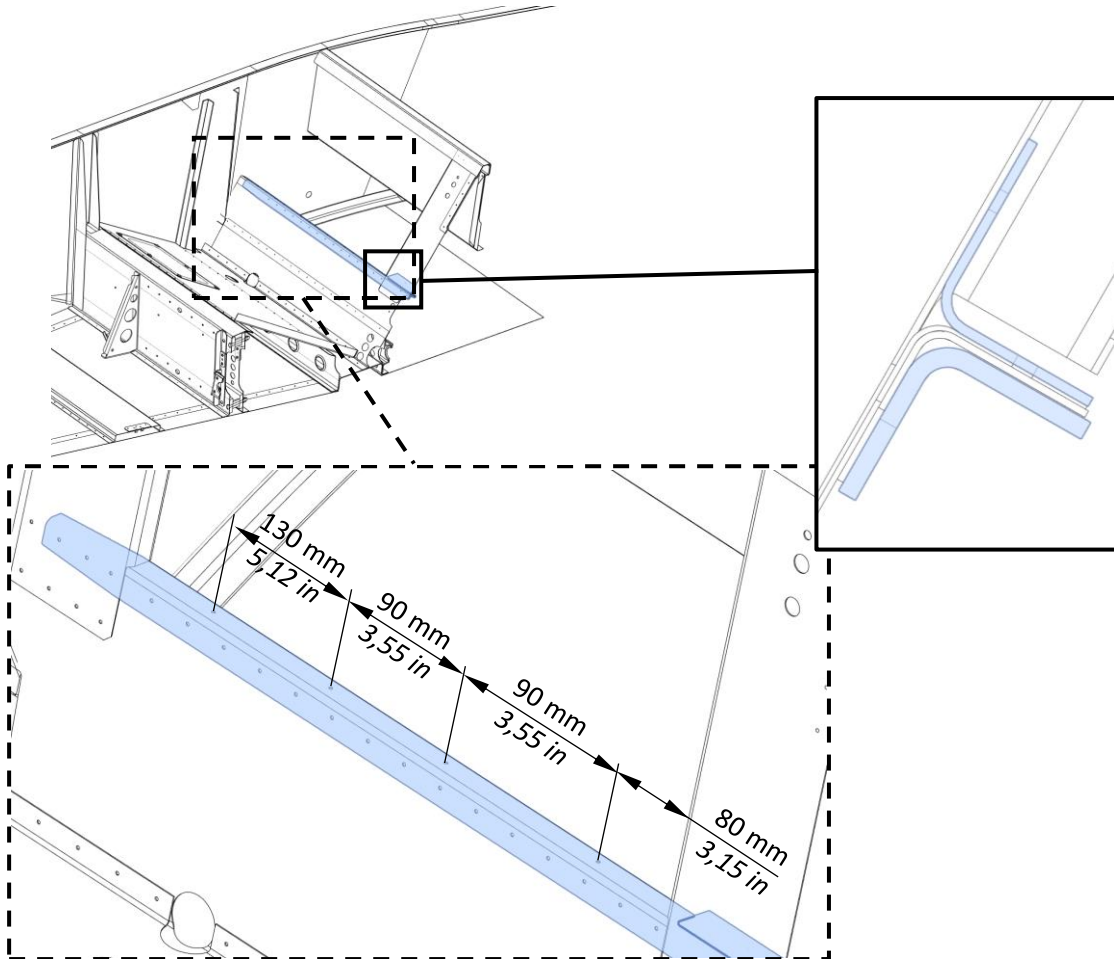


Fig. 4: Location of reinforcements (local cut)

- 24) Screw back the backrest. Install the seats.
- 25) Restore the aircraft to airworthy condition.
- 26) Update aircraft records to reflect compliance with this Service Bulletin.

APPROVAL:

This Service Bulletin has been approved by:

TITLE:	Head of Design Organisation	Airworthiness Manager
NAME:	David Bilík	Jan Pejchar
HAND WRITTEN SIGNATURE:		