



CRUISER
AIRCRAFT

No.: SB-SC-090

DATE: 2022-04-08

PAGE: 1/6

SERVICE BULLETIN

Czech Aircraft Group s.r.o.
Na Záhonech 212
686 04 Kunovice
Czech Republic
info@cruiseraircraft.cz

REV.: -

DATE: -

MODEL AFFECTED:	SportCruiser / PiperSport operating outside EASA rules
SUBJECT:	Cabin light dimmer replacement
AIRCRAFT AFFECTED:	All SportCruiser / PiperSport aircraft
COMPLIANCE:	According to the owner's decision

DESCRIPTION:

This Service Bulletin contains instructions how to replace the old dimmer with a new one.

AUTHORISATION TO PERFORM:

Repairman (LS-M) or Mechanic (A&P)

REASON:

The new dimmer has a more sensitive light setting.

MANPOWER:

2 hours

SPECIAL TOOLS:

Common tools for aircraft maintenance.

WEIGHT AND BALANCE:

Affected

ELECTRICAL LOAD DATA:

N/A

PUBLICATIONS AFFECTED:

N/A

MATERIAL AND COSTS:

All costs to be covered by the aircraft owner / operator.

SERVICE BULLETIN

MATERIAL:

ITEM No.	NOMENCLATURE	DESCRIPTION	QUANTITY
001	6653P016	Double dimmer (kit)	1 pc
002	6653P016-110	Drill jig	1 pc

ACCOMPLISHMENT INSTRUCTIONS:

REMOVAL OF OLD DIMMER:

- 1) Disconnect main battery.
- 2) Pull out the control buttons (see Fig. 1).
- 3) Loosen the screws on the dashboard (see Fig. 2).
- 4) Unscrew the nuts under the control knobs.
- 5) Pull out the dimmer from back of the dashboard (see Fig. 3).
- 6) Disconnect the wires from the terminal block.

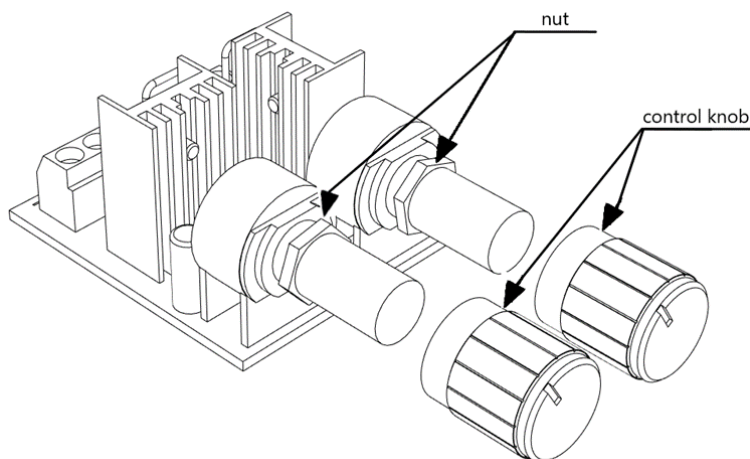


Fig. 1: Old dimmer

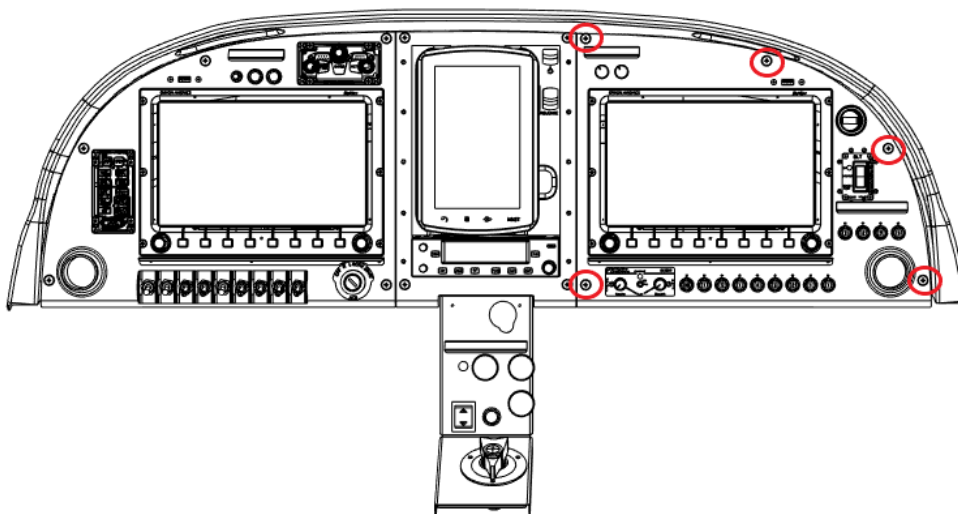


Fig. 2: Screws on the dashboard

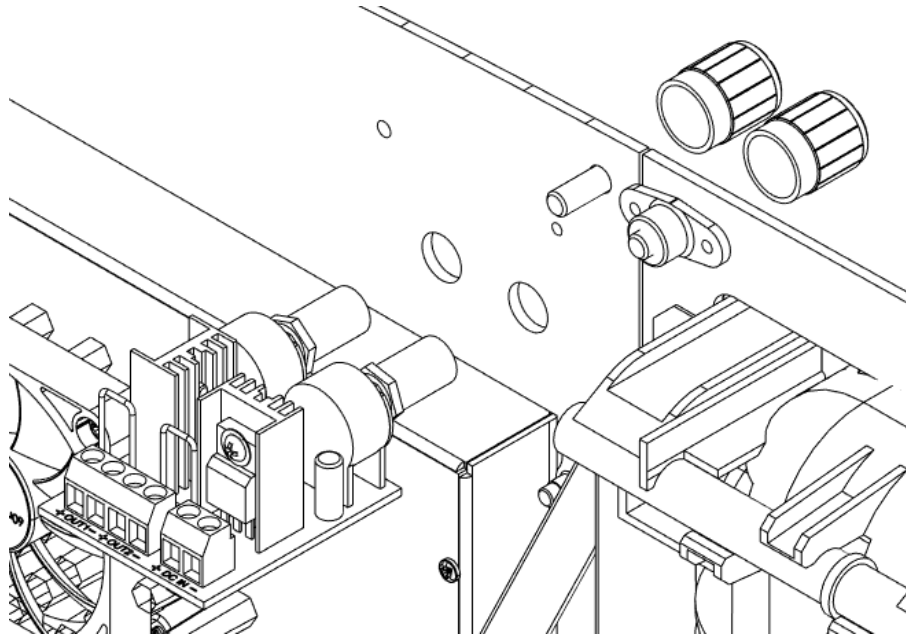


Fig. 3: Dashboard with old dimmer

INSTALLATION OF NEW DIMMER:

- 7) Insert the drilling jig into the holes in the dashboard (see Fig. 4).
- 8) Drill a hole in the dashboard according to the hole in the drilling jig (see Fig. 4).

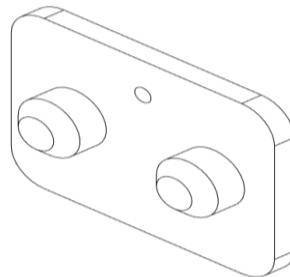


Fig. 4: Drilling jig

- 9) Drill a countersink for M4 screw.

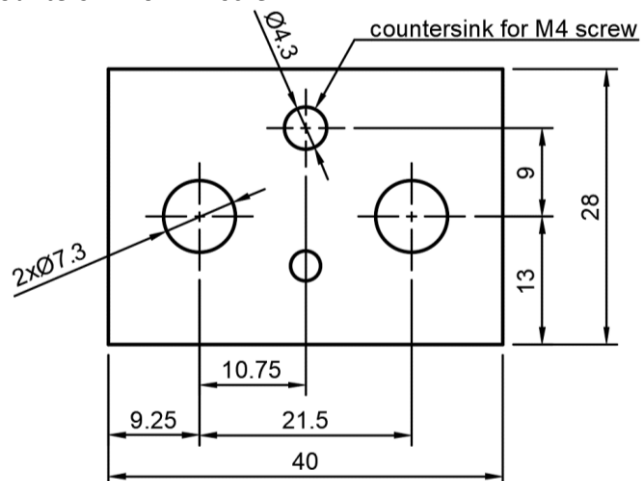


Fig. 5: Holes in dashboard

SERVICE BULLETIN

- 10) Connect the wires to the terminal block according to the wiring diagram (see Fig. 8), secure the terminal block screw against loosening with paint.
- 11) Insert the dimmer into the holes in the dashboard. (see Fig. 6).
- 12) Screw the M4 screw through the dashboard into the nut.
- 13) Put the tag on the dimmer pins.
- 14) Screw the M7 nuts on dimmer pins.
- 15) Put the control knobs on dimmer pins.
- 16) Connect the battery.
- 17) Test the dimmer function.
- 18) Update aircraft records to reflect compliance with this Service Bulletin.

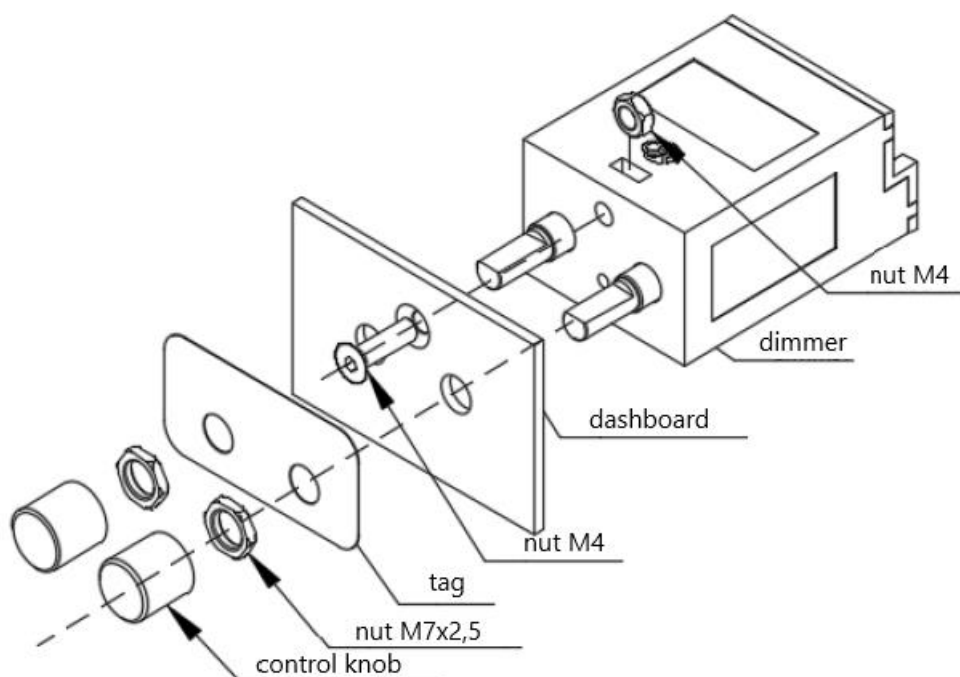


Fig. 6: New dimmer

ELECTRONICS CONNECTION OF A NEW DIMMER:

(2) SEE DC POWER SUPPLY WIRING DIAGRAM.

(1) SEE DC POWER SUPPLY WIRING DIAGRAM.

12				
11	GND	TERMINAL GROUND		
10	C 29	LIGHT RAMP		Co-pilot's panel
9	C 28	LED HEADLAMP, INTERIOR	ACCENT-2580-10-30V	
8	C 27	LIGHT RAMP		Pilot's panel
7	C 26	LIGHT RAMP		Control panel
6	C 25	LIGHT RAMP		Co-pilot's panel
5	C 24	LIGHT RAMP		Co-pilot's panel
4	C 23	LIGHT RAMP		Pilot's panel
3				
2	C 21	DIMMER	12VDIMMER02	
1	C 20	CIRCUIT BREAKER	MS3320-2	
Item	Symbol	Title	Type	Note

Fig. 7: Bill of material for electronics connection

SERVICE BULLETIN

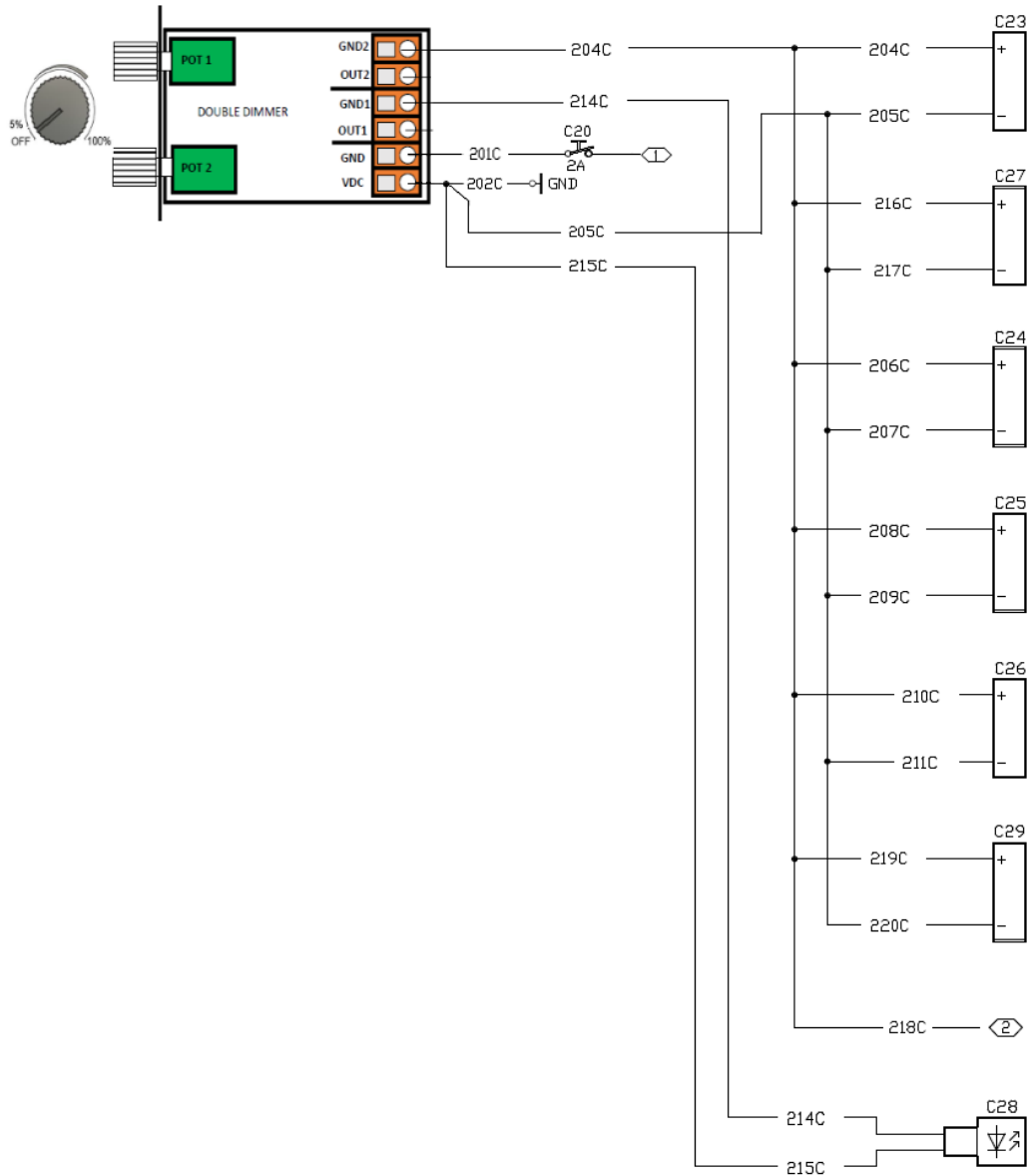


Fig. 8: Electronics connection



CRUISER
AIRCRAFT

No.: SB-SC-090

DATE: 2022-04-08

PAGE: 6/6

SERVICE BULLETIN

Czech Aircraft Group s.r.o.
Na Záhonech 212
686 04 Kunovice
Czech Republic
info@cruiseraircraft.cz

REV.: -

DATE: -

APPROVAL:

This Service Bulletin has been approved by:

TITLE:	Head of Design Organisation	Airworthiness Manager
NAME:	David Bilík	Jan Pejchar
HAND WRITTEN SIGNATURE:		