



CRUISER
AIRCRAFT

No.: SB-SC-092

DATE: 2022-06-30

PAGE: 1/7

SERVICE BULLETIN

Czech Aircraft Group s.r.o.
Na Záhonech 212
686 04 Kunovice
Czech Republic
info@cruiseraircraft.cz

REV.: -

DATE: -

MODEL AFFECTED:	SportCruiser / PiperSport operating outside EASA rules
SUBJECT:	Reinforcement of the fuselage around the main landing gear
AIRCRAFT AFFECTED:	All SportCruiser / PiperSport
COMPLIANCE:	According to the owner's decision

DESCRIPTION:

This Service Bulletin contain instructions how to reinforce the fuselage around the main landing gear.

AUTHORISATION TO PERFORM:

Repairman (LS-M) or Mechanic (A&P)

MANPOWER:

8 hours

SPECIAL TOOLS:

Common tools for aircraft maintenance.

WEIGHT AND BALANCE:

N/A

ELECTRICAL LOAD DATA:

N/A

PUBLICATIONS AFFECTED:

N/A

MATERIAL AND COSTS:

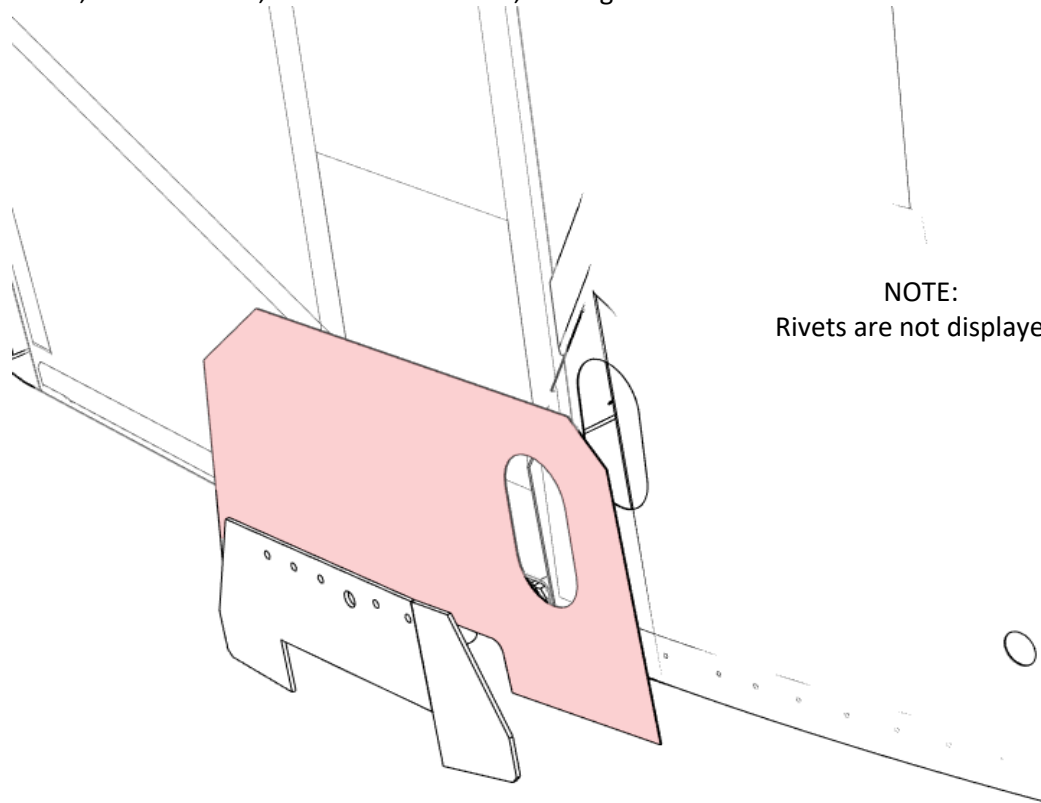
All costs to be covered by the aircraft owner / operator.

SERVICE BULLETIN

MATERIAL:

ITEM No.	NOMENCLATURE	DESCRIPTION	QUANTITY
001	SF0467N	Patch	1 pc
002	3171T047	Rivet (circle) PN-12014009	20 pcs
003	3171T033	Rivet (square) PN-16910412	7 pcs
004	3171T034	Rivet (triangle) PN-10312406	8 pcs
005	3171T028	Rivet (cross) PN-12014008	6 pcs
006	3172D455	Rivet (pentagon) PN-MS20470AD4-5,5	2 pcs
007	SG0095L_ND ^{1,2,4}	Main Gear Attachment (left)	1 pc
008	4410V002 ^{2,3}	Emfimastic PU50	1 pc
	N/A ^{2,3}	3M Marine Adhesive Sealant 5200	1 pc

¹ without holes, ² one of these, ³ order in local store, ⁴ for right side use SG0095P



NOTE:
Rivets are not displayed.

Fig. 1: Main gear attachment patch (left side)

SERVICE BULLETIN

ACCOMPLISHMENT INSTRUCTIONS:

NOTE: During the implementation of this SB follow AC43-13 and AMM, Chapter 15.

NOTE: This Service Bulletin is valid for both sides.

NOTE: The number of parts is for one patch (i.e., one side).

- 1) Move the aircraft to a place suitable to perform the work.
- 2) Remove the wing (see AMM, Chapter 4).
- 3) Remove the main landing gear leg (see AMM, Chapter 8).
- 4) Drill out the rivets and unscrew the nuts (Fig. ,2 and Fig. 3).



Fig. 2: Main gear attachment patch (left side)

SERVICE BULLETIN



Fig. 2: Bottom side of the main gear attachment

- 5) Remove the main gear attachment (1,2 Fig. 3).
- 6) Install the patch to the place and drill the holes for rivets (002, 003, 004, 005, 006).
- 7) Rivet the patch (001). See the Fig. 2 and Fig. 3 for rivets. Rivet 002 is circle, 003 is square, 004 is triangle, 005 is cross and 006 is pentagon. The approximate position of the patch is marked with a black line. Patch and Main Gear Attachment must be glued with glue (008).
- 8) Install the new main gear attachment (007) to the original position.
- 9) Drill holes for rivets and screws to the main gear attachment.
- 10) Attach the main gear attachment with rivets and screws.
- 11) Install the main landing gear leg (see AMM, Chapter 8).
- 12) Install the wing (see AMM, Chapter 4).
- 13) Restore the aircraft to airworthy condition.
- 14) Update aircraft records to reflect compliance with this Service Bulletin.



CRUISER
AIRCRAFT

No.: SB-SC-092

DATE: 2022-06-30

PAGE: 5/7

SERVICE BULLETIN

Czech Aircraft Group s.r.o.

Na Záhonech 212

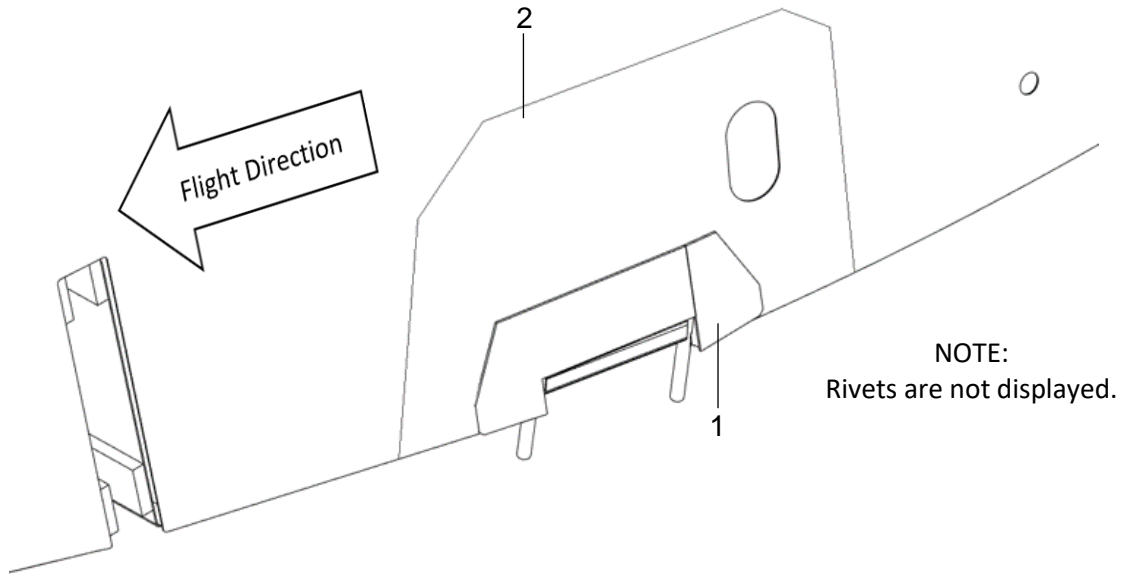
686 04 Kunovice

Czech Republic

info@cruiseraircraft.cz

REV.: -

DATE: -



1 Main gear attachment

2 Patch

Fig. 3: Patch installed

APPROVAL:

This Service Bulletin has been approved by:

TITLE:	Head of Design Organisation	Airworthiness Manager
NAME:	David Bilík	Jan Pejchar
HAND WRITTEN SIGNATURE:		



CRUISER
AIRCRAFT

No.: SB-SC-092

DATE: 2022-06-30

PAGE: 6/7

SERVICE BULLETIN

Czech Aircraft Group s.r.o.

Na Záhonech 212

686 04 Kunovice

Czech Republic

info@cruiseraircraft.cz

REV.: -

DATE: -

INTENTIONALLY LEFT BLANK



CRUISER
AIRCRAFT

No.: SB-SC-092

DATE: 2022-06-30

PAGE: 7/7

SERVICE BULLETIN

Czech Aircraft Group s.r.o.

Na Záhonech 212

686 04 Kunovice

Czech Republic

info@cruiseraircraft.cz

REV.: -

DATE: -