



**SUPPLEMENT NO.2 TO DOC.NO. CR-WMA-1-0-01**

**STALL WARNING SYSTEM INSTALLATION**

**LIST OF AIRPLANES COVERED BY THIS SUPPLEMENT**

Airplane model	Serial No.	Note
PS-28 Cruiser	C0488	-

**LIST OF WIRING DIAGRAMS COVERED BY THIS SUPPLEMENT**

Title	Dwg. No. ....	Page
STALL WARNING SYSTEM	SI0375N .....	4



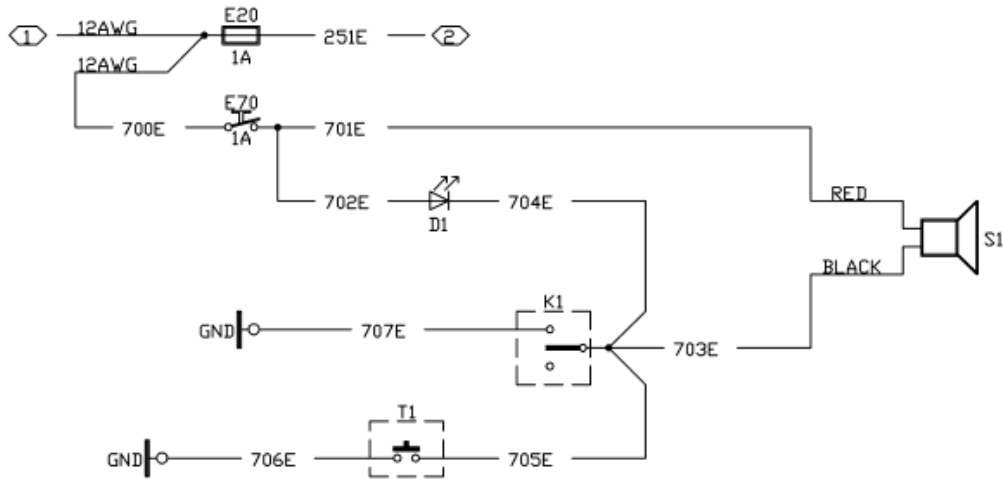
**RECORD OF REVISIONS**

Rev. No.	Revision name	Changed pages	Issue date	Date and signature



**LIST OF EFFECTIVE PAGES**

Page	Date	Page	Date	Page	Date
1	2013-02-08				
2	2013-02-08				
3	2013-02-08				
4	2013-02-08				



- ② SEE OPENED DOOR SIGNALLING.
- ① SEE DC POWER SUPPLY WIRING DIAGRAM.

5	D1	LED DIODE	12V L81681D	
4	T1	PUSH BUTTON	PA10ZA1	
3	K1	LIFT DETECTOR	C101001-1	
2	S1	SIGNAL SIREN	KPE1200	
1	E70	CIRCUIT BREAKER	1A 2TC2	
Item	Symbol	Title - Nazev	Type - Typ	Note - Pozn.

Model Typ	PS-28 Cruiser	Dwg. No. Cislo vykresu	SI0375N
Title Nazev	SIGNALIZACE VAROVANI PRED PADEM		