



CRUISER
AIRCRAFT

SERVICE BULLETIN

Czech Aircraft Group s.r.o
Na Záhonech 212
686 04 Kunovice
Czech Republic
info@cruiseraircraft.com

No.: SB-CR-086

Date: 2021-04-08

Page: 1 of 4

Rev.: 1

Date: 2021-06-11

MODEL AFFECTED:	PS-28 Cruiser SportCruiser / PiperSport operating under EASA rules
SUBJECT:	Substitution of Kuntzleman light
AIRCRAFT AFFECTED:	All PS-28 Cruiser aircraft All SportCruiser / PiperSport operating under EASA rules
COMPLIANCE:	According to the owner's decision.

DESCRIPTION:

This Service Bulletin contains instructions how to replace Kuntzleman light for a SunRay light.

AUTHORISATION TO PERFORM:

Part M or Part 145 Maintenance organization

REASON:

Kuntzleman light has ceased production and will be replaced by SunRay light if necessary.

MANPOWER:

4 hours

SPECIAL TOOLS:

Common tools for aircraft maintenance.

WEIGHT AND BALANCE:

No effect

ELECTRICAL LOAD DATA:

N/A

PUBLICATIONS AFFECTED:

N/A

MATERIAL AND COSTS:

All costs to be covered by the aircraft owner/operator.



CRUISER
AIRCRAFT

No.: SB-CR-086

Date: 2021-04-08

Page: 2 of 4

SERVICE BULLETIN

Czech Aircraft Group s.r.o
Na Záhonech 212
686 04 Kunovice
Czech Republic
info@cruiseraircraft.com

Rev.: 1

Date: 2021-06-11

MATERIAL:

ITEM No.	NOMENCLATURE	DESCRIPTION	QUANTITY (PCS)
001	6902LI11	SunRay 01-1150 light (with connector)	1
002	SI0679N	Patch	1
003	3111O770	Screw MS35206-227	2
004	3131X301	Washer DIN 125	2
005	664M0004	Wire	2 m
006	512O2148	Shrink tube	0,1 m
007	4610A003	Loctite 243	1
008	4410V002 ¹	Emfimastic PU50	1
009	N/A ^{1,2}	3M Marine Adhesive Sealant 5200	1

¹one of these, ²order in local store

ACCOMPLISHMENT INSTRUCTIONS:

NOTE: During the implementation of this SB follow AC43-13.

1. Set the **MASTER BAT** and **LDG L** switch to OFF.
2. Remove engine cowlings, disconnect positive (+) battery terminal (see MM, Chapter 11).
3. Remove the original landing light (see MM, Chapter 11).
4. Degrease the surfaces where the adhesive will be applied.
5. Stick the patch (002) from the outside with glue (008 or 009). See Fig. 1.



Fig. 1: Patch



CRUISER
AIRCRAFT

No.: SB-CR-086

Date: 2021-04-08

Page: 3 of 4

SERVICE BULLETIN

Czech Aircraft Group s.r.o
Na Záhonech 212
686 04 Kunovice
Czech Republic
info@cruiseraircraft.com

Rev.: 1

Date: 2021-06-11

6. Fill the patch with glue.
7. Drill two holes for screws throw the patch.
8. Locally repair the paint (not necessary-esthetic only).
9. The light has 5 wires, only two will be used. Red 351C (positive) and black 352C (ground), blind the other wires with a shrink tube (006). See Fig. 2. Valid scheme depends on airplane equipment.

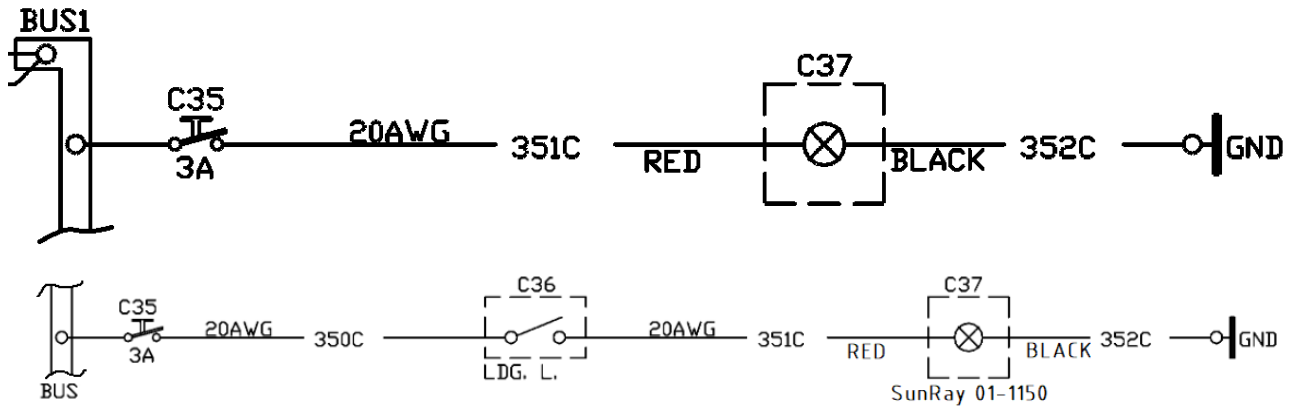


Fig. 2: Electric scheme

10. Install the light (001) from the inner side and tighten the screws (003) with washers (004). Use Loctite (007) to secure the screws.
11. Extend the wires from light. So, they are above the left NACA intake.
12. Install lower engine cowling.
13. Extend the power cords over the left NACA intake.
14. Crimp the connector to power cords and wires from light.
15. Glue the wires with from light glue over the left NACA intake. See Fig. 3.



Fig. 3: Glued wires



SERVICE BULLETIN

No.: SB-CR-086

Date: 2021-04-08

Page: 4 of 4

Rev.: 1

Date: 2021-06-11

16. Let's cure the glue for 24 hours.
17. Connect the connector.
18. Connect positive (+) battery terminal (see MM, Chapter 11).
19. Install upper engine cowling.
20. Set the **MASTER BAT** and **LDG L** switch to ON and check the correct function of light (Fig. 4).
21. Complete the aircraft records to reflect compliance with this Service Bulletin.



Fig. 4: SunRay Light

APPROVAL:

This Service Bulletin has been approved by:

Title	Head of Design Organization	Airworthiness Manager
Name	Jiří Sklenář	Jiří Sklenář
Hand written signature		