



CRUISER
AIRCRAFT

No.: SB-CR-097

DATE: 2022-02-18

PAGE: 1/4

SERVICE BULLETIN

Czech Aircraft Group s.r.o.
Na Záhonech 212
686 04 Kunovice
Czech Republic
info@cruiseraircraft.cz

REV.: -

DATE: -

MODEL AFFECTED:	PS-28 Cruiser / PS-28N Cruiser SportCruiser / PiperSport operating under EASA rules
SUBJECT:	Interference caused by strobe lights
AIRCRAFT AFFECTED:	All PS-28 Cruiser and PS-28N Cruiser aircraft All SportCruiser / PiperSport operating under EASA rules
COMPLIANCE:	According to the owner's decision

DESCRIPTION:

This service bulletin contains instructions for solving interferences that may appear in headsets every time strobe light is on.

AUTHORISATION TO PERFORM:

Part M or Part 145 Maintenance organization

MANPOWER:

2 hours

SPECIAL TOOLS:

Common tools for aircraft maintenance.

WEIGHT AND BALANCE:

N/A

ELECTRICAL LOAD DATA:

N/A

PUBLICATIONS AFFECTED:

N/A

MATERIAL AND COSTS:

Replacement can be solved by complaint.



CRUISER
AIRCRAFT

No.: SB-CR-097

DATE: 2022-02-18

PAGE: 2/4

SERVICE BULLETIN

Czech Aircraft Group s.r.o.
Na Záhonech 212
686 04 Kunovice
Czech Republic
info@cruiseraircraft.cz

REV.: -

DATE: -

MATERIAL:

NOTE: Items 1-4 for VFR day
Items 5-8 for VFR night

ITEM No.	NOMENCLATURE	DESCRIPTION	QUANTITY
001	6902ST16	Strobe light green	1 pc
002	6902ST17	Strobe light red	1 pc
003	6902LIG9	Strobe light white	1 pc
004	6902ST08	Redbaron daylite	1 pc
005	6902ST18	Ultra galactica green	1 pc
006	6902ST19	Ultra galactica red	1 pc
007	6902LI19	Posistrobe titania	1 pc
008	692ST20	Redbaron galactica	1 pc

NOTE: See also SB-CR-041

ACCOMPLISHMENT INSTRUCTIONS:

NOTE: If you notice interference in the headset, try following procedure.

- 1) Get on a plane, turn on your headset, and turn on the strobe light. Observe if interference occurs when the lights are switched on. (See Fig. 1)



Fig. 1: Strobe light switch

SERVICE BULLETIN

- 2) If the interference in the headset disappears with the strobe lights off, the problem is with some of the strobe lights.
- 3) To test which of the strobe lights is defective (usually is defective red strobe light on the left side), remove one of the lights and test if the interference is still going on. (Instructions for removing the strobe light can be found in the maintenance manual). (See Fig. 2)

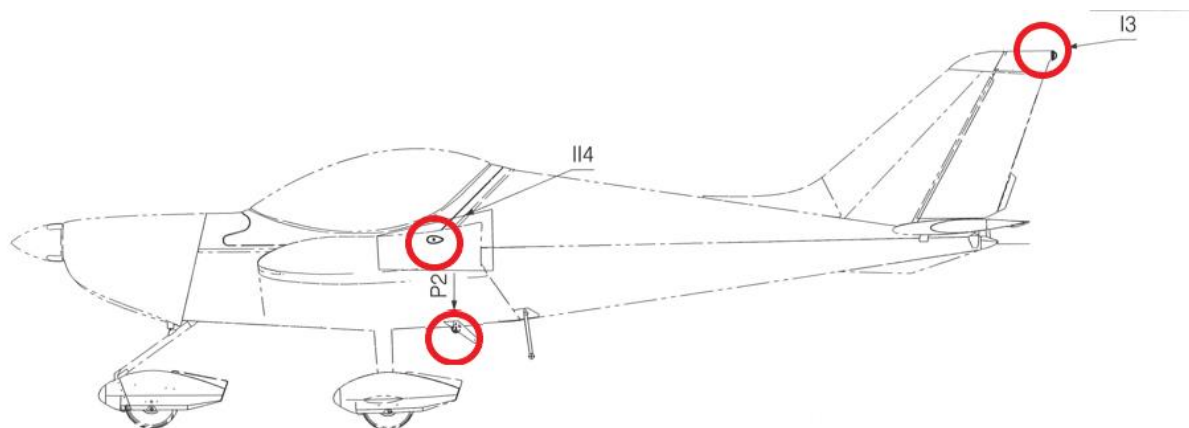


Fig. 2: Strobe lights position

- 4) If the interference is still going on, remove another strobe light until the interference stops.
- 5) Replace faulty strobe light. For spare parts order use nomenclature given in table above.
- 6) Strobe light replacement can be solved by a complaint.

APPROVAL:

This Service Bulletin has been approved by:

TITLE:	Head of Design Organisation	Airworthiness Manager
NAME:	David Bilík	Jan Pejchar
HAND WRITTEN SIGNATURE:		



CRUISER
AIRCRAFT

No.: SB-CR-097

DATE: 2022-02-18

PAGE: 4/4

SERVICE BULLETIN

Czech Aircraft Group s.r.o.

Na Záhonech 212

686 04 Kunovice

Czech Republic

info@cruiseraircraft.cz

REV.: -

DATE: -

INTENTIONALLY LEFT BLANK